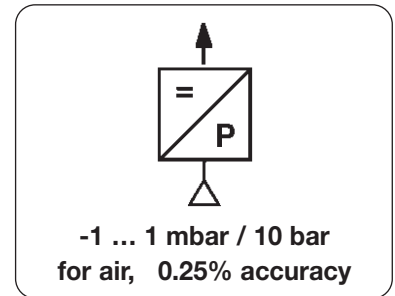


Description	The pressure transducer converts the differential pressure between port 1 and port 2 into a proportional voltage or current signal by means of a high-performance silicon semi-conductor.			
Media	Non-corrosive, non-ionic media, such as air, dry gases etc.			
Outlet signal	4 to 20 mA, 2-wire connection or 1 to 6V as option			
Operating pressure	According to table below. The pressure between port H and L must not exceed max. overpressure.			
Supply voltage	12 to 32V DC			
	Range -1 to 1/10 mbar		Range 0 to 25 mbar / 10 bar	
Linearity / Hysteresis	typ. 0.1% FS	max. 0.25% FS	typ. 0.2% FS	max. 1% FS
Response time	1 ms	10% to 90% of range	0.1 ms	10% to 90% of range
Temperature range	-25 °C to 85 °C operating, 0 °C to 50 °C compensated		-40 °C to 85 °C operating, 0 °C to 70 °C compensated	
Long-term stability	typ. 0.2% FS of zero and span over a one-year period, with exception of 1 mbar range: typ. 0.5% FS			
Power consumption	250 mW on 4 to 20 mA version,		60 mW on 0 to 10V version	
Electrical connector	Connector M12x1, 4-pin or		cable with 4 flying leads	
Materials	aluminium housing,		silicon semi-conductor	

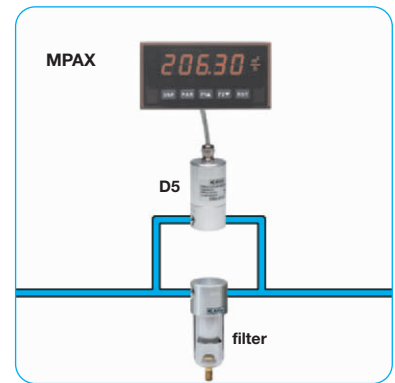


Dimensions	Accuracy	Differential pressure	Operating pressure	Pressure range	Order number
height Ø	% FS	max. bar	both ports max. bar	mbar / bar	
mm mm					

Pressure transducer, 4-20 mA			1/8" female, 2-wire without connector		D5	
86	40	0.25%	0.25	0.5	-1... 1 mbar	D5A-A1V
			0.25	0.5	0... 2 mbar	D5A-A2
			0.25	0.5	-2... 2 mbar	D5A-A2V
			0.35	0.75	0... 5 mbar	D5A-A5
			0.35	0.75	-5... 5 mbar	D5A-A5V
			0.35	0.75	0... 10 mbar	D5A-B1
86	40	1.0%	0.35	12	0... 25 mbar	D5A-B2
			0.35	12	-25... 25 mbar	D5A-B2V
			1.4	12	0... 70 mbar	D5A-B7
			1.4	12	-70... 70 mbar	D5A-B7V
			1.4	12	0...350 mbar	D5A-C3
			1.4	12	-350...350 mbar	D5A-C3V
			2	12	0... 1 bar	D5A-01
			2	12	-1... 1 bar	D5A-V1
			4	12	0... 2 bar	D5A-02
			10	12	0... 5 bar	D5A-05
20	12	0... 10 bar	D5A-10			



D5 D5-L



example: filter control

Special options add the appropriate letter

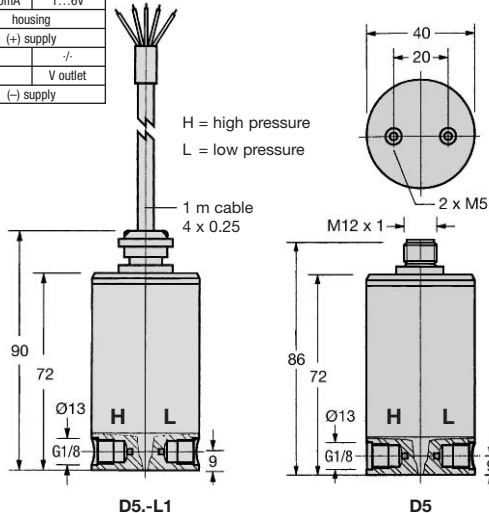
1-6V outlet	
cable	fixed on transducer, 1m
connector	M12x1, 4-pin, angle
connector and cable	2m

Accessories

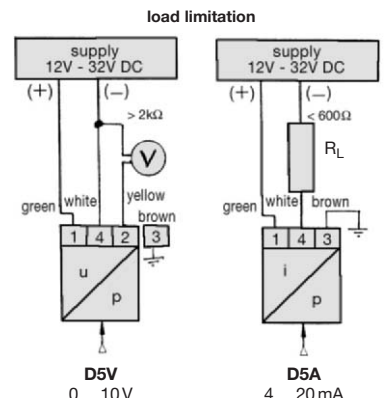
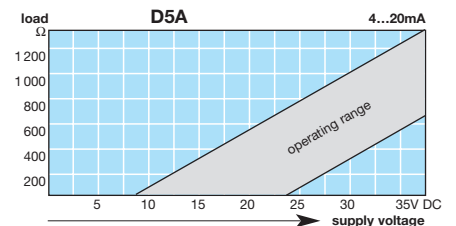
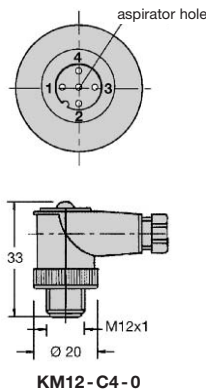
V	D5V - . .
L1	D5 . . . L1
	KM12-C4-0
	KM12-C4-2



fixed cable	
colour	4...20mA 1...6V
colourless	housing
brown	(+) supply
white	-/-
green	V outlet
yellow	(-) supply



electrical connection			
pin	colour	4...20 mA	1...6V
1	brown	(+) supply	
2	green	-/-	V outlet
3	white	housing	
4	yellow	(-) supply	



For your information:	1 bar: 14.5 psi	1 l/min: 0.035 scfm	1 mm: 0.039 inch	1 mbar: 0.4 inch H ₂ O	1 mbar: 0.01 m H ₂ O
	1 psi: 0.069 bar	1 scfm: 28.3 l/min	1 inch: 25.4 mm	1 inch H ₂ O: 2.5 mbar	1 m H ₂ O: 98 mbar

Order example: D5A-01