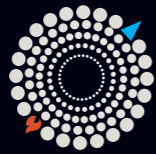


**RESPECT,
INTEGRITY, JOY,
TEAMWORK,
AMBITION, LOYALTY**

**TECHNICALLY
FLOWING**



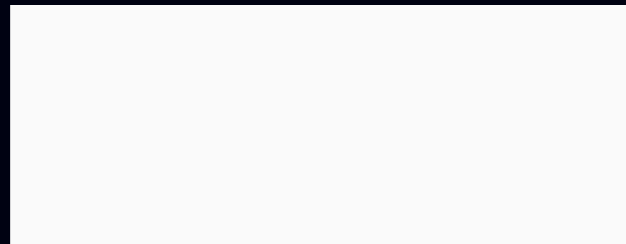
PLEASE BE ASSURED

V.V.C. bvba
Lerenveld 19
2547 Lint - BELGIUM

T +32 (0)3 491 97 70
F +32 (0)3 491 97 74
E info@vvc-ivt.be

www.vvc-ivt.be

REPRESENTED BY



The V.V.C. team

listens to their customer requirements, understands their needs and has the experience and backing to discuss all the relevant details.

“ **Our passion?** A sector-oriented and personal approach ensuring cross-border comprehensive solutions. ”

KNOWLEDGE THROUGH EXPERIENCE...

BUTTERFLY & KNIFE GATE VALVES
EXHAUST GAS DAMPER VALVES

With more than 35 years of experience, V.V.C. has grown into a significant international partner for all branches of industry. The successful combined action of an innovative team, know-how, commitment, flexibility and service lays the groundwork for the quality that sets V.V.C. apart in the market.

EXPECT ONLY THE BEST

Our worldwide presence in sectors such as the environment, energy recovery, the petrochemical industry, marine, pharmaceuticals, food and cement, ... guarantees continuous development in our niche market and a broad outlook on the market. Our long-standing relationship with reputed suppliers allows us to offer a wide range of products.

Do your needs go beyond a standard product?

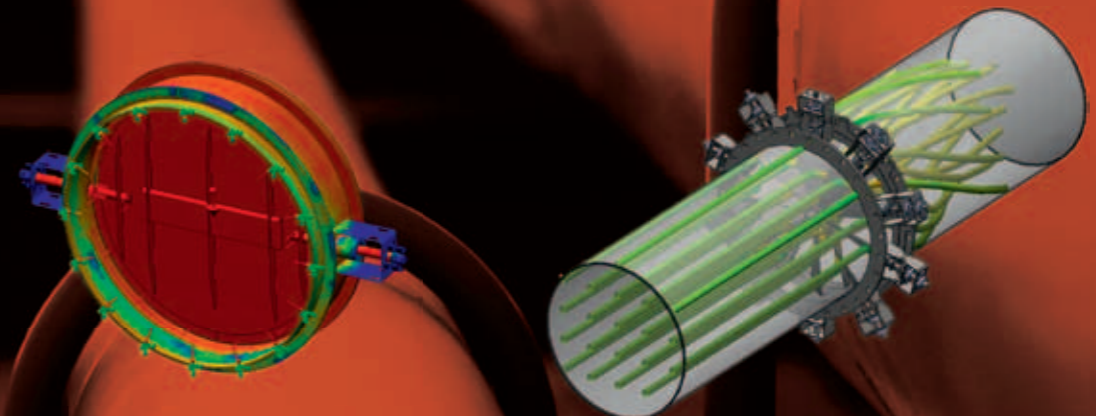
V.V.C. actively helps you customize your existing products or develops, together with you and its engineers, products that are tailored to your application.

GET TO KNOW OUR COMPANY VALUES & STANDARDS

STANDING STILL IS GOING BACKWARDS ...

We wish to establish global relationships as an expert in valves and control components for “niche” applications and markets.

We aim to become your preferred partner for challenges in blocking and dosing solid substances and hot gases.



EXHAUST GAS BUTTERFLY AND BY-PASS VALVES

DSL®

DN 50 (2") – DN600 (24")

- Wafer-type for flanges acc. DIN EN 1092-1 PN10-16 or ANSI 150#
- Swing through disc or with ledge seat
- Temperature range : -40°C up to +650°C
- Pmax : < 0,49 barg



DSS®

DN 80 (3") – DN 1200 (48")

- Wafer-type for flanges acc. DIN EN 1092-1 PN10-16 or ANSI 150#
- Swing through disc or with ledge seat
- Temperature range : -40°C up to +1150°C
- Pmax : < 0,49 barg
- Options : inflatable seat, sealing air



DSK®

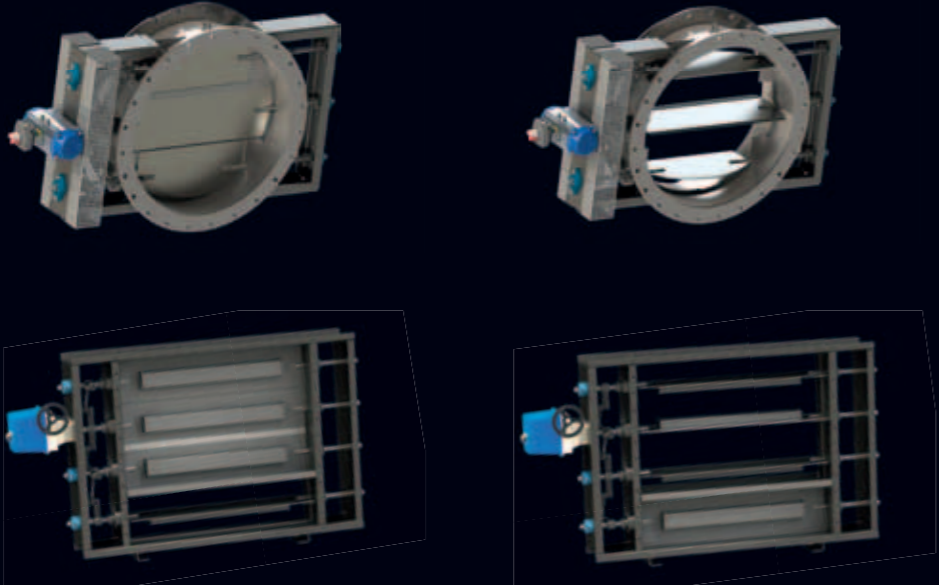
DN 250 (10") – DN 3000 (120")

- Welded construction flanged acc. DIN 24154 R4 / PN2,5 / PN 6 / PN 10 / ANSI 150# or customer spec.
- Pmax : 0,1 barg
- Temperature range : -40°C tot +1150° (depending from material-and construction choice)
- Options : sky is the limit !



DSK® variations customized to suit the process

Louvre dampers for better flow control DSK-J + DSK-JR



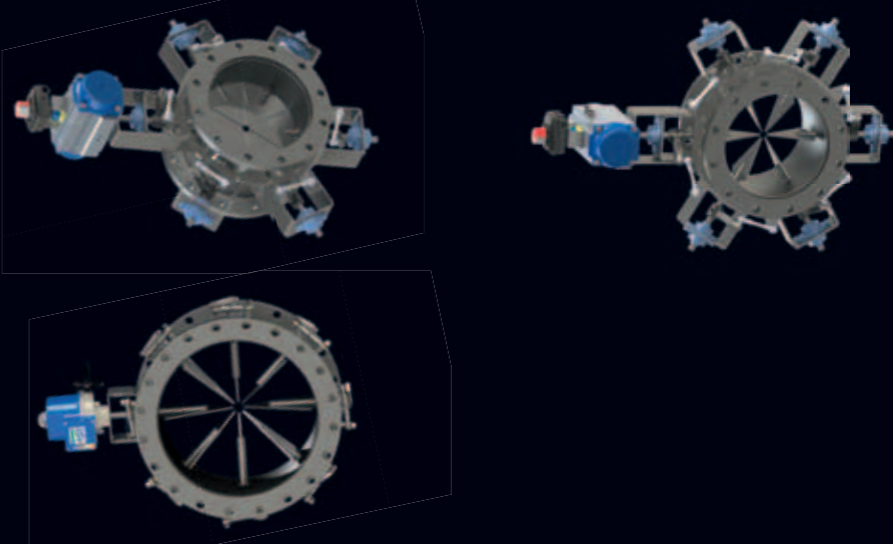
Sealing Air Dampers



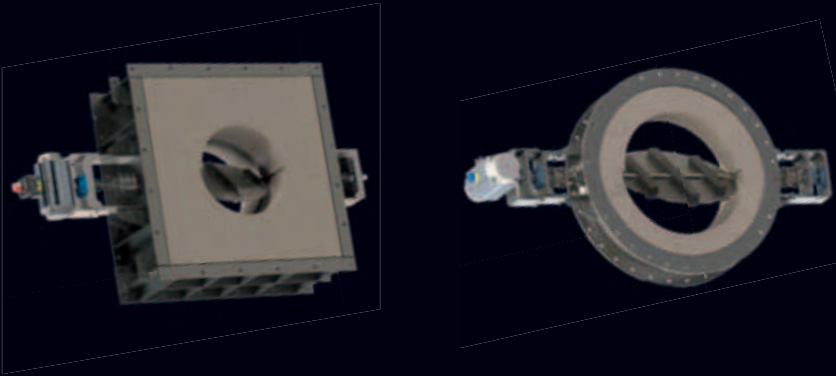
By-pass dampers DSK-T



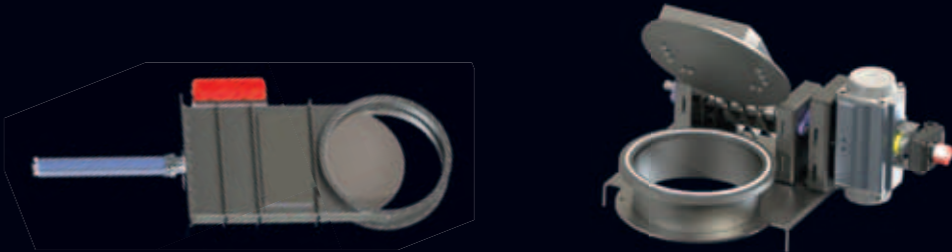
Radial Vane Inlet control valves for industrial fans DSK-ICV



Refractory lined high temperature control valves: DSK-HT



Stack dampers, Swing check dampers, Guillotine dampers



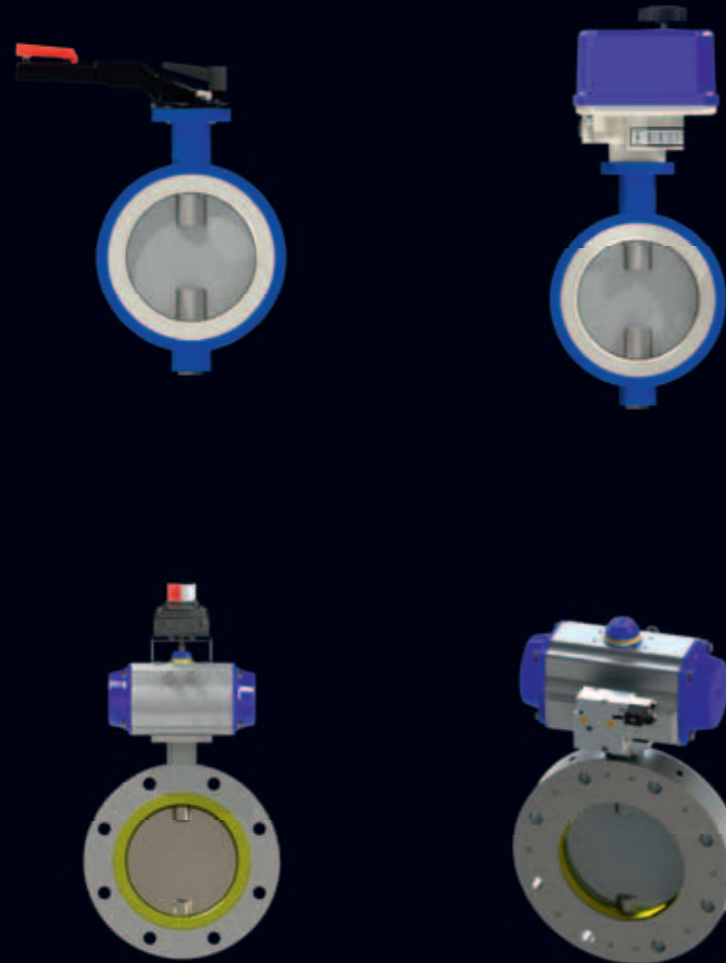
VALVES FOR ASH & BULK HANDLING

Butterfly Valves IVT®

01 / 02 / 03 DN 50 (2") – DN600 (20")

Wafer-type for flanges acc. DIN EN 1092-1, PN10-16 or ANSI 150#

- Leak-proof according DIN EN 12266 rate A, Pmax 2,5 barg
- Replaceable sealing qualities : NBR, EPDM, SILICONE, FKM, PU
- Stainless steel ring sealing for pellets & granules
- Inflatable seat design (IVT®-03)
- Temperature range : -40°C up to +200°C

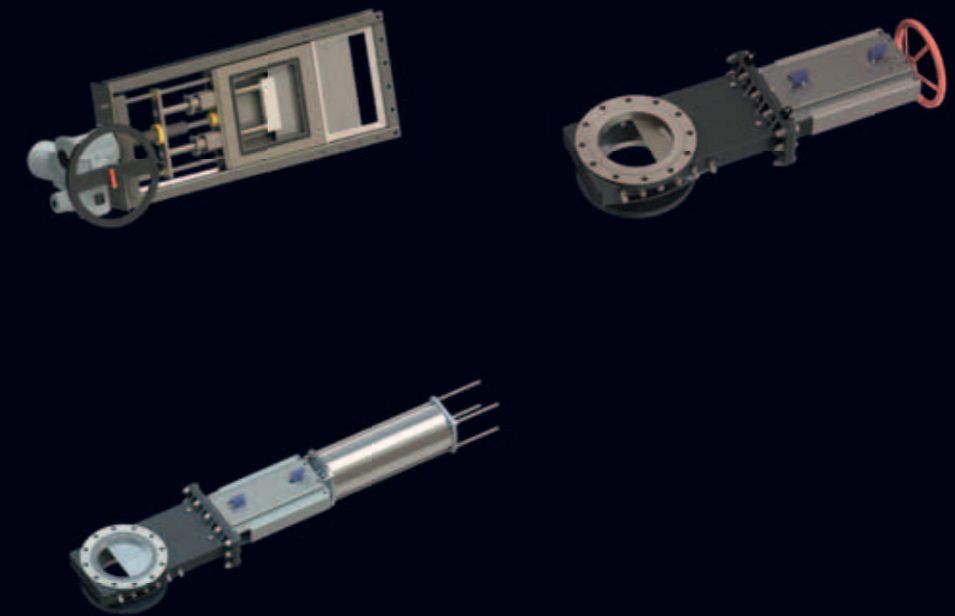


Knife gate Valves LP & LP-HT

DN 100 (4") – DN 400 (16") or square welded design

- Flanged PN10 or ANSI 150#
- Aluminum, GGG40, Carbon steel, Stainless steel, Special alloy
- P max. : 1 – 6 barg or abs. Vacuum
- T max. : - 40°C + 1050°C

Option : 100% dust-and pressure tight in line and to atmosphere with inflatable seat



DAMPER VALVE AUTOMATION SOLUTIONS...

Together with support from world leading actuator and valve controls manufacturers, VVC has the experience, know-how and product range to meet the needs of almost any applications in different industries.

Functional testing and calibration of all automated packages, with documentation .

showing the performance of each assembly

Automation work-shop that follow ISO guidelines and procedures

Accurate actuator sizing by our technically trained staff

Assistance with on-site valve applications, field service and actuator retrofits

24/7 emergency automation field support

Complete engineering documentation for installation and operating manuals

CAD automation drawings upon request

Our trained staff will also take care of the coordination and cooperation with your inspector in case of a third party inspection.

Electric Actuator



SOV



Electro-pneumatic Positioner



SWITCHBOX



Pneumatic Actuator

